

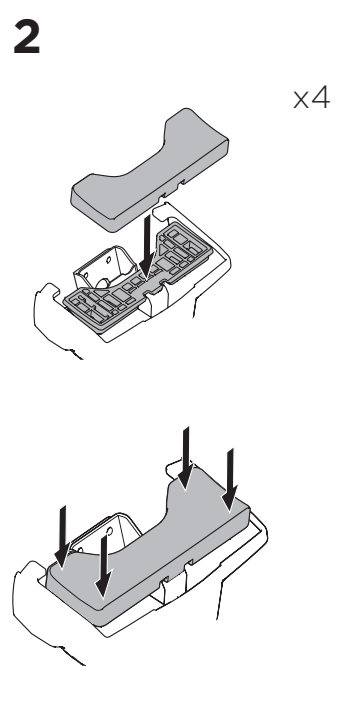
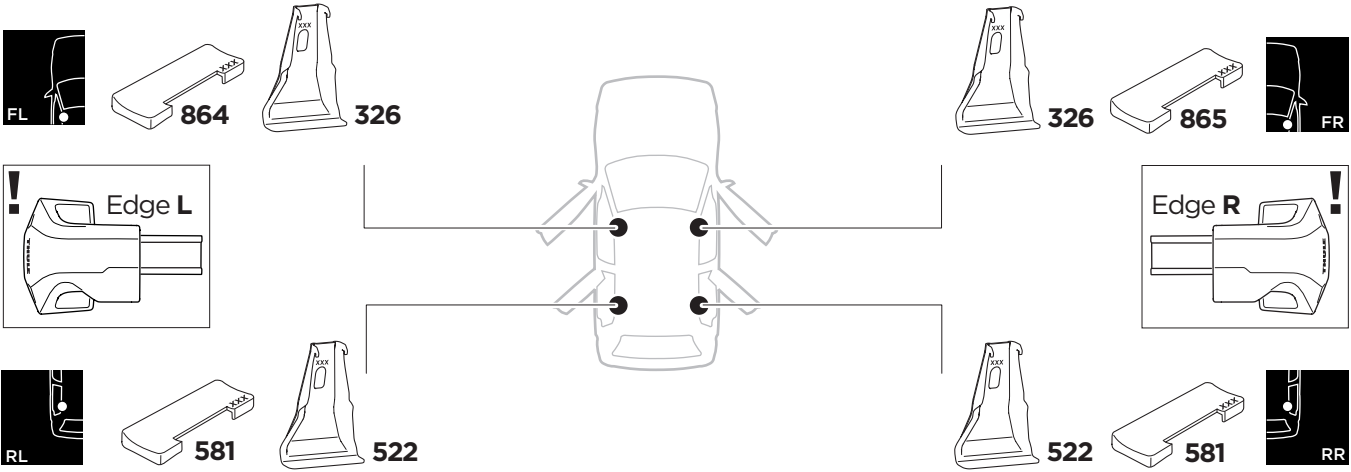
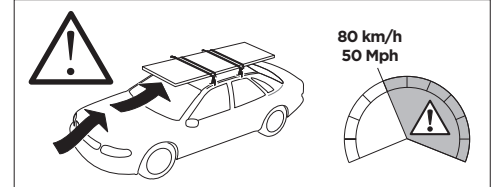
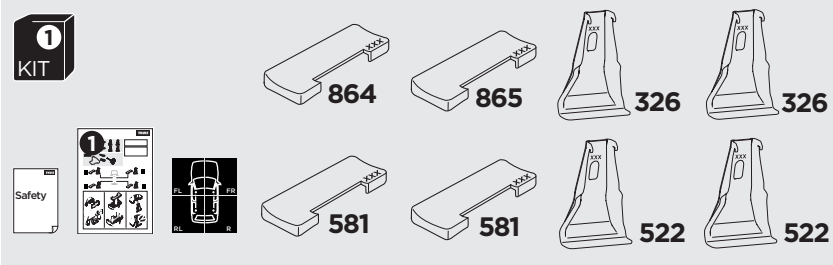
1

Kit 145307

AUDI e-tron, 5-dr SUV, 19-23
 AUDI Q8 e-tron, 5-dr SUV, 23-

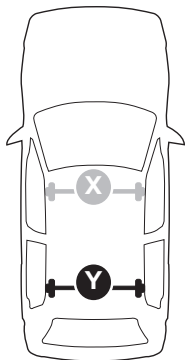


ISO 11154-E





THULE WingBar Evo	THULE WingBar Edge	THULE WingBar	THULE SquareBar Evo	Evo X (scale)	Edge X (scale)
AUDI e-tron, 5-dr SUV, 19-23				45	G
AUDI Q8 e-tron, 5-dr SUV, 23-				45	G
THULE ProBar Evo	THULE SlideBar Evo			X (mm/inch)	
AUDI e-tron, 5-dr SUV, 19-23				1101 mm / 43 3/8"	
AUDI Q8 e-tron, 5-dr SUV, 23-				1101 mm / 43 3/8"	



THULE WingBar Evo	THULE WingBar Edge	THULE WingBar	THULE SquareBar Evo	Evo Y (scale)	Edge Y (scale)
AUDI e-tron, 5-dr SUV, 19-23				41	O
AUDI Q8 e-tron, 5-dr SUV, 23-				41	O
THULE ProBar Evo	THULE SlideBar Evo			Y (mm/inch)	
AUDI e-tron, 5-dr SUV, 19-23				1061 mm / 41 3/4"	
AUDI Q8 e-tron, 5-dr SUV, 23-				1061 mm / 41 3/4"	

	W (mm/inch)	Z (mm/inch)
AUDI e-tron, 5-dr SUV, 19-23	800 mm / 31 1/2"	270 mm / 10 5/8"
AUDI Q8 e-tron, 5-dr SUV, 23-	800 mm / 31 1/2"	270 mm / 10 5/8"

